



## Kawasaki ZRX-1100 / 1200 - Installation Instructions

Thank you for selecting and purchasing a TiForce exhaust system for your Kawasaki ZRX-1100 / 1200. TiForce is the world's finest titanium exhaust system available today. Please install your new system as explained in the following pages, and in accordance with given precautions. Instructions are also available in Adobe Acrobat PDF format on the TiForce website ([www.TiForce.co.jp](http://www.TiForce.co.jp)).

### Before Installation

- Verify that all parts and accessories have been included (see list below).
  - Coat all exhaust pipe mating joints with anti-seize compound / lubricant.
  - Read and review these instructions, cautions, diagrams and images prior to starting any work.
1. Remove the existing exhaust system and save the flange nuts for reuse. Save the stock exhaust can mounting bolt and nut for reuse as well.
  2. Inspect the exhaust gaskets. Replace if necessary.
  3. Attach the head pipes 1, 2, 3, and 4 to the exhaust ports of their respective cylinders, using the flange nuts saved from step 1 above. Loosely apply the flange nuts for now, allowing for some adjustment.
  4. Attach the Y-pipe collectors to the head pipes. Please note that one collector goes to pipes #1 and #4 and one collector goes to pipes #2 and #3 (collectors are labeled). Make sure the ends of the head pipes fit flush and snug in the ports. Do not install the springs at this time.
  5. Install the S-Bend to the rear of the two Y-pipe collectors. Do not install the springs at this time.
  6. Go back and retighten the head pipe flange nuts per factory specifications – make sure the head pipes are centered in each port.
  7. Slide the TiForce end can into place on the S-bend pipe.
  8. Loosely attach the two rubber bands, stainless steel bands K, and the stay / hanger G, to the end can using the supplied 6mm hardware H. (See figure 1). Make sure that the rubber bands fully cover the stainless bands to prevent scratches to the can.
  9. Place the bands approximately 108mm from the edge of the end can. (See figure 2).
  10. Go back and tighten the exhaust flange nuts per factory specification. Do not over tighten.
  11. Using the stock provided mounting point on the right passenger footpeg, and using the stock mounting bolt, mount the end can loosely, allowing for some adjustment. Insert the stock mounting bolt through the stay / hanger G.
  12. Attach the supplied springs to all the joints, starting from the head pipes and working back to the end can.
  13. Make sure the exhaust system is free and clear, if necessary jiggle the system to adjust for proper clearance.
  14. Carefully align the two stainless bands K so that they are parallel to each other, and spaced properly on the can (refer to step 11 / figure 2), then tighten the 6mm hardware H and the stock mounting bolt hardware. Make sure that the rubber pads fully cover the band(s). **USE CAUTION WHEN TIGHTENING THE 6MM HARDWARE AND THE TWO BANDS SO AS NOT TO CRUSH OR DISTORT THE SLEEVE OF THE CAN.**
  15. Using some brake and contact cleaner on a clean rag, carefully wipe down the entire exhaust system to remove any residual oils, anti seize, fingerprints and dirt prior to starting the motor. **FAILURE TO CLEAN THE TUBING AND CAN MAY RESULT IN PERMANENT STAINING OF THE SYSTEM WHEN HEATED.**
  16. Check that all hardware is properly tightened, and then start the motor and check for exhaust leaks.

End



## General Cautions For Exhaust System Installations

**CAUTION** –For your safety, carefully read these instructions and those above, and fully familiarize yourself with the content before beginning installation and use. Keep these instructions in a safe place for future reference. Install the exhaust system as explained in these instructions.

**DANGER** –when the motor is running, and shortly after it has been turned off, the motorcycle, the exhaust system and end-can will be hot. Severe burns, bodily injury and even death may result.

**DANGER** –Keep gasoline and other flammable materials away from the exhaust system at all times. Exposure of gasoline and to heat can lead to fire.

**CAUTION** –Stop the motorcycle should the exhaust system come in contact with people or animals. Never touch the exhaust system when hot. Direct contact with the system can cause burns.

**DANGER** –Allow the motor to cool before installing or removing the exhaust system. Working with a hot motor can lead to burns.

**CAUTION** –Stand the motorcycle on a flat and level surface and ensure that the motorcycle is stable before installing the exhaust system. Bodily injury and /or death could result to you or others if the motorcycle falls over. Damage may also result to the motorcycle or nearby property or equipment.

**DANGER** –Start and run the motorcycle in a well-ventilated area. With prolonged exposure to exhaust gas you run the risk of severe oxygen deficiencies, bodily injury or death may result.

**CAUTION** –Install the muffler only on the specified model of motorcycle. Improper installation will lead to loss of performance and or damage to the motorcycle.

**CAUTION** –Do not disassemble, modify or remodel this exhaust system.

---

TiForce Japan Co., Ltd	81-593-873992 tel	<a href="http://www.tiforce.co.jp">http://www.tiforce.co.jp</a>
13-25,Minami Ejima	81-593-873993 fax	<a href="mailto:sales@tiforce.co.jp">sales@tiforce.co.jp</a>
Suzuka city,Mie		
510-0235, Japan		

## Parts List

Exhaust head pipes - #'s 1,2,3,4 – 1 each / 4 total

Exhaust Y-pipes	2	Exhaust S-bend pipe	1	End can	1
hanger / stay Arm G	1	Stainless steel bands K	2	Rubber pads	2
Exhaust springs	8	M6 x 20mm bolt H	2	M6 washer	4
M6 nut	2				

Figure 1 - Assembly of Stainless Bands and Exhaust Hanger

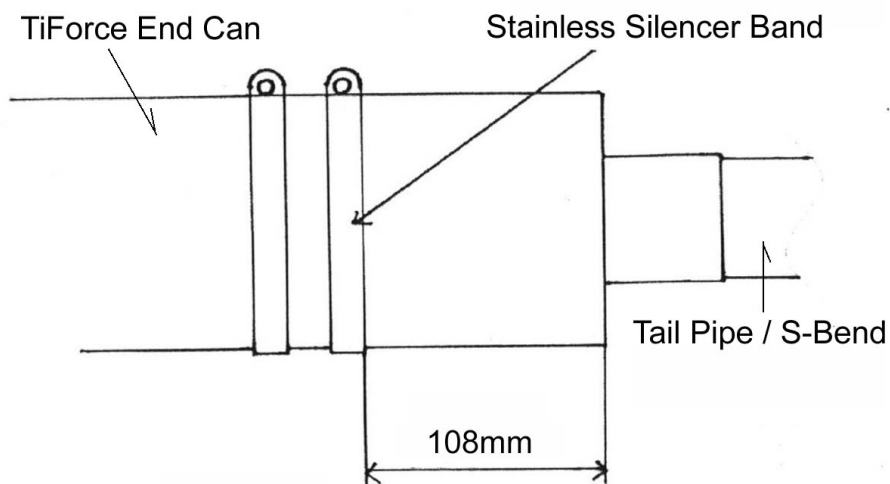
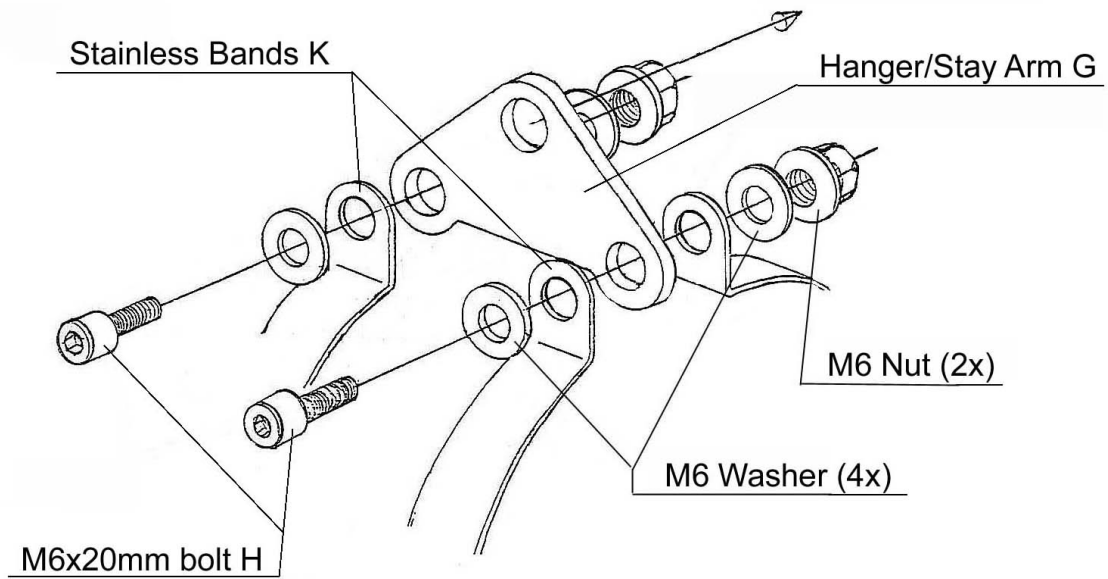


Figure 2 - Silencer Band Placement